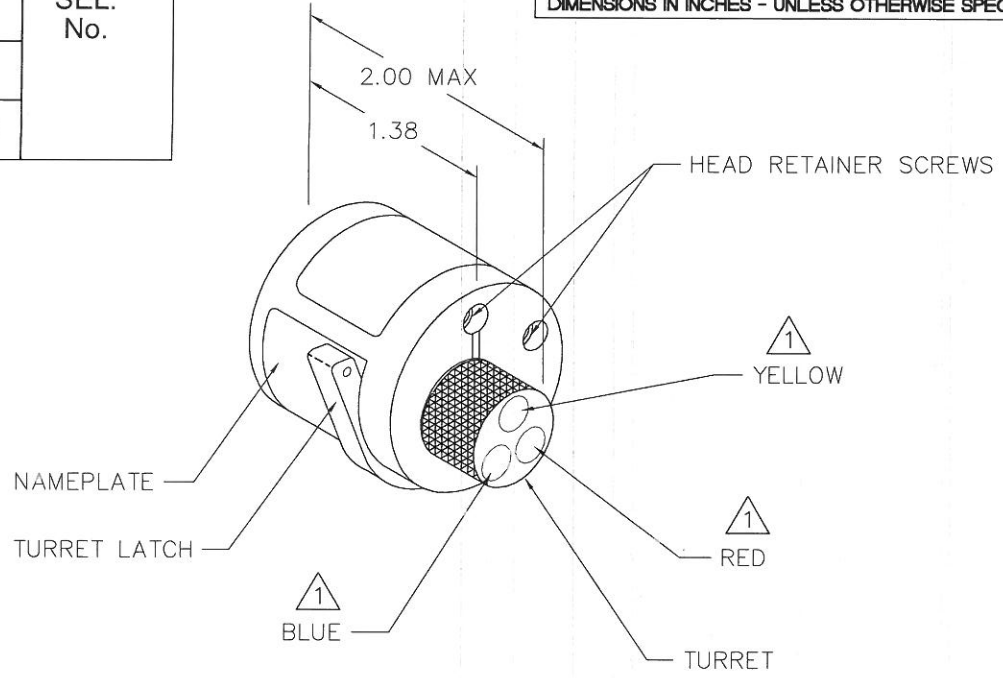
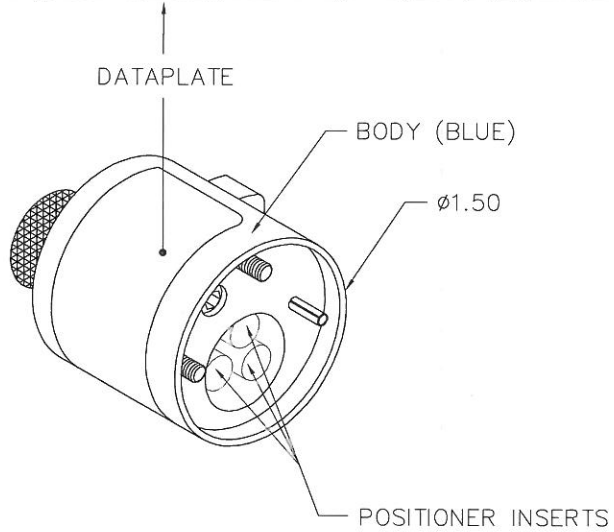


REVISIONS				
REV. SYM.	E.C.O. NUMBER	DESCRIPTION	BY DATE	APP'D DATE
1		ORIGINAL RELEASE	AAM 1-23-02	RRR 1-23-02

MILL-MAX	COLOR CODE	24	22	20	18	16	WIRE SIZE
3601-X-07-XX-00-00-08-0	RED	3	4	5			SEL. No.
3602-0-07-XX-00-00-08-0							
3603-0-07-XX-00-00-08-0							
0520-0-00-XX-00-00-03-0	YELLOW		6	6	6		
3609-X-07-XX-00-00-08-0	BLUE			4	5	6	

**UNCONTROLLED DOCUMENT
WILL NOT BE UPDATED**

DIMENSIONS IN INCHES - UNLESS OTHERWISE SPECIFIED



1 RANDOM ORDER OF ROTATION IS ACCEPTABLE.

POSITIONER COLOR	HOLE DIMENSIONS	ADDITIONAL FEATURES
RED	∅.084 ↘.84 MIN.	└ ∅.108 ↘.012
YELLOW	∅.086 ↘.91 MIN.	└ ∅.129 ↘.054
BLUE	∅.086 ↘.84 MIN.	└ ∅.144 ↘.059

* HOLE AND COUNTERBORE DEPTHS ARE MEASURED FROM TOP OF POSITIONER INSERTS.

RESTRICTED & CONFIDENTIAL		ITEM	PART NO.	QTY.	DESCRIPTION/REMARKS
CONFIDENTIAL PROPERTY OF DANIELS MANUFACTURING CORP. NOT TO BE DISCLOSED TO OTHERS, REPRODUCED OR USED FOR ANY OTHER PURPOSE, EXCEPT AS AUTHORIZED IN WRITING BY DANIELS MANUFACTURING. MUST BE RETURNED TO DANIELS MANUFACTURING CORP. ON COMPLETION OF ORDER OR OTHER PURPOSE FOR WHICH LENT.		DRN.	A. MOO-YOUNG	DATE	1-23-02
		CHK'D.	RRR	DATE	1-23-02
		APP'D.		DATE	
		APP'D.		DATE	
DO NOT SCALE DRAWING		NOTE:		WHERE USED: AFB	
		THIS DRAWING IS AN OUTLINE DRAWING OF THE RESPECTIVE DMC PART NUMBER INDICATED. ACTUAL DMC PART NUMBER IS DRAWING NUMBER WITHOUT THE "-ENV" SUFFIX.		TITLE ENVELOPE DRAWING TURRET HEAD	
		SIZE	SCALE	CAD P/N	SHEET OF
		B	NTS	TH535-ENV	1 1
		POSTING	DWG. NO.	TH535-ENV	REV. 1

